



Resilient Seated Gate Valve, EcoValve

AW55/1

BS, DN50 - DN300 (EPDM)

PN 10/16

The Resilient Seated Gate Valve type EcoValve is a highly reliable valve with superior characteristics, in compliance with all international standards.

Technical Details

Face to Face in accordance to:

BS 5163 (EN 558-1 Series 3)

Maximum Working Pressure PFA:

16 bar / PN16

Working temperature:

-10 to +70°C

Construction complies to:

EN 1074-1&2, BS 5163-1&2, EN 1171

Flange Type:

EN 1092-2 PN10 & PN16

Coating:

300 µm FBE coating, external and internal - RAL5015

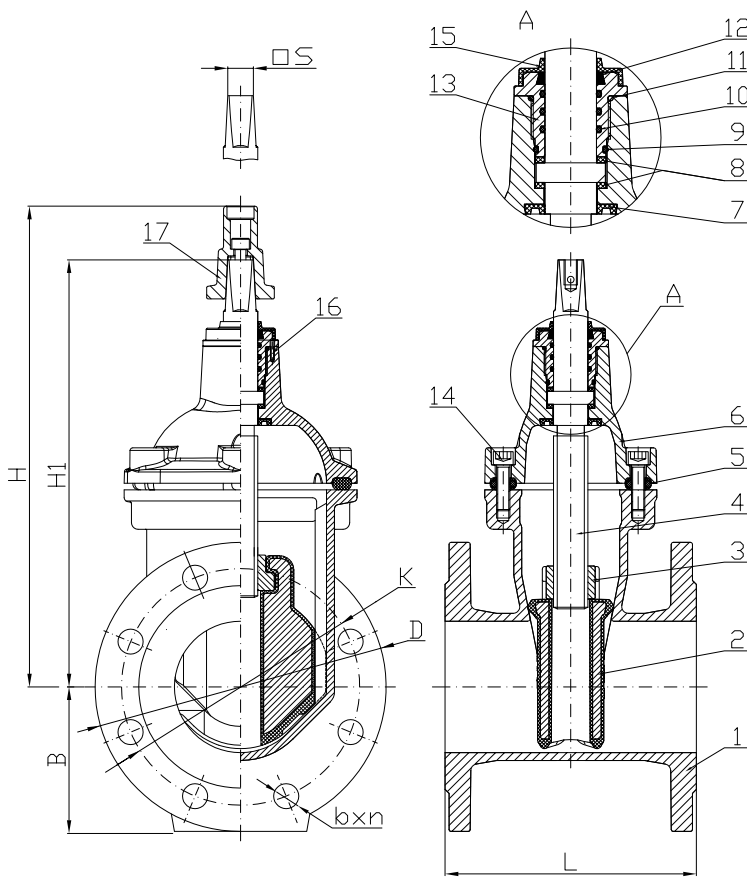
Application:

Installation for water, irrigation water, sewage water, chilled water and other chemically inert fluids for flow closing

Design features

- Integral ductile iron wedge, fully EPDM encapsulated
- Superior stem packing with three O-rings and a dust seal
- Rugged construction of ductile iron with stainless steel stem 316 and nut wedge made of aluminum bronze
- Main seal
- Wedge guide shoes
- Valve is supplied with Cap-Top as standard.
- Available with Hand-Wheel.





No	Part Name	Material
1	Body	Ductile Iron EN-GJS-500-7
2	Wedge	D.I., EPDM encapsulated EN-GJS-500-7
3	Wedge Nut	Aluminium-Bronze CuAl10Ni5Fe4
4	Stem	Stainless Steel X5CrNiMo17-12-2 / 1.4401 / 316
5	Bonnet Gasket	Elastomer EPDM
6	Bonnet	Ductile Iron EN-GJS-500-7
7	Main seal	Elastomer EPDM
8	Bottom Washer	Plastic PTFE
9	Bush O-ring Seal	Elastomer EPDM
10	Stem O-ring Seal	Elastomer EPDM
11	O-ring Seal	Elastomer EPDM
12	Dust Seal	Elastomer NBR
13	Gland Bush	H.T. dezincification resistant Brass
14	Bonnet Bolts	Stainless Steel X5CrNiMo17-12-2 / 1.4401 / 316
15	Bonnet Dust Seal	Elastomer NBR
16	Set Screw	Stainless Steel X5CrNiMo17-12-2 / 1.4401 / 316
17	Cap-Top	Ductile Iron EN-GJS-500-7

Dimension (mm & kg)

Group	DN	50	65	80	100	125	150	200	250	300
AW55/1	PN16	AD0892	AD0893	AD0894	AD0895	AD0896	AD0897	AD0898	AD0899	AD0900
	PN10							AD0901	AD0902	AD0903
L		178	190	203	229	254	267	292	330	356
H1		218	255	277	325	355	395	482	572	662
H		264	301	319	341	397	411	526	616	706
B		82,5	90	100	110	125	142,5	170	202,5	227,5
K	PN16 / PN10	125	145	160	180	210	240	295	355 / 350	410 / 400
b x n	PN16 / PN10	19x4	19x4	19x8	19x8	19x8	23x8	23x12 / 23x8	27x12 / 23x12	27x12 / 23x12
D		165	185	200	220	250	285	340	405	460
Stem Top Square	□S	14,3	17,3	17,3	19,3	19,3	19,3	24,3	27,3	27,3
Weight	kg	10,6	12,5	13,8	18	22	31,9	54,5	75,5	110